



Water Pipeline Systems

- Gate Valve
- Check Valve
- Global Valve
- Butterfly valve
- Ball Valve
- Air Valve
- Y Strainer
- Fire Hydrant
- Pipe Fitting



青岛沃德管道配件有限公司
VORTEX QINGDAO PIPELINE CO., LTD.

Add: North Industry Park of Jimo, Qingdao, CHINA
Tel: +86-532-85015186/85010020/85011161
Fax: +86-532-85012826/85015085
Http://www.vortex-valve.cn
E-mail: info@vortex-pipefitting.cn



青岛沃德管道配件有限公司
VORTEX QINGDAO PIPELINE CO., LTD.

公司简介 INTRODUCTION

VORTEX QINGDAO PIPELINE CO., LTD. as a large and professional manufacturing group which is located in Shan dong, our main products are Valves and Pipe Fittings for water and industry pipeline. The typical products as below,

1) Ductile casting iron Resilient seated gate valve, Knife gate valve, Check valve, Air valve, Butterfly valve, Global valve, Y strainer, Fire Hydrant. All of them conform to the standard of ISO, DIN, EN, BS, AWWA, API, JIS, AS, KS, SABS etc

2) Ductile casting iron pipe and fitting (DN50 to DN2000mm), including Socket bend, Flange bend, Socket and Flange Tee, Taper, Flange, and welding flange pipe. All of them conform to ISO2531/EN545/EN598.

3) Dismantling joints, Flange adaptor, Coupling, and other Viking Johnson type's fittings. (DN80-600 Flange adaptor & coupling are wide range design and multi-drilling of PN10/16).

4) Our casting process: Resin sand moulds casting production line (equipments are importing from Italy IMF), which ensured the size precision and surface quality of casting. Cupola-electric furnace double process is applied to melting system.

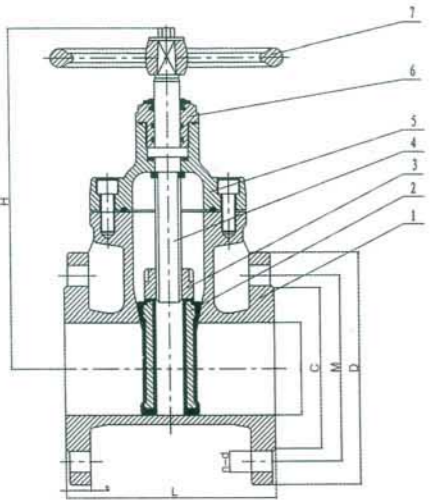
5) Our market: Europe, USA, Asia, Middle-East, Africa, and South-America.





Gate Valve

Resilient seated Gate Valve(NRS)



with signal

DESCRIPTION

- 1.Design confirms to:BS5163 type A,SABS664/665
- 2.Flanged drilled conirms to:BS4504
- 3.Test & Inspection:BS 6755
- 4.Normal pressure:1.0MPa,1.6MPa,2.5MPa
- 5.Suitable medium:water and neutral liquid
- 6.Working temperature:NBR≤80 C ,EPDM≤120 C
- 7.Operator:handwheel,nut,extension stem,gear operator

MATERIAL LIST

No.	PART	MATERIAL
1	BODY	GGG40/GGG50
2	WEDGE	GGG40/GGG50/NBR/EPDM
3	STEM NUT	BRASS/BRONZE/59-1/CZ132/5-5-5
4	STEM	2Cr13/420/304
5	BONNET	GGG40/GGG50
6	GLAND	BRASS 59-1
7	HANDWHEEL	GGG40/GGG50

DIMENSIONS(mm).

DN	L		H	C	M	D	b	n-d
	BS5163/665	BS5150/664						
40	165		245	88	110	150	19	4-19
50	178	216	278	102	125	165	19	4-19
65	190		288	122	145	185	19	4-19
80	203	229	310	138	160	200	19	8-19
100	229	254	360	158	180	220	19	8-19
125	254		405	188	210	250	19	8-19
150	267	280	448	212	240	285	19	8-23
200	292	317	550	268	295	340	20	12-23
250	330	356	668	320	355	405	22	12-28
300	356	380	750	378	410	460	24.5	12-28
350	381	470	900	438	470	520	26.5	16-28
400	406	470	1030	490	525	580	28	16-31
450	432	485	1080	532	525	640	30	20-31
500	457	510	1188	610	650	715	31.5	20-34
600	508	600	1380	725	770	840	36	20-37
700	610		1545	793	840	910	38.5	24-37
800	610		1750	900	950	1025	43	24-40
900	711			1000	1050	1125	46.5	28-40
1000	813			1116	1170	1255	50	24-43

Resilient Seated Gate Valves

Art No.:WD001

Design: BS5163 Type A EN1171 EN1074 EN558-1

Type: NRS,Flange end

Face to face: EN558-1 Series3

Class: PN6,PN25

Size: DN40-DN800



Resilient Seated Gate Valves

Art No.:WD002

Design: BS5163 Type B EN1074

Type: NRS,Flange end

Face to face: EN558-1 Series3

Class: PN16

Size: DN50-DN600



Gate Valve

Resilient Seated Gate Valves



Art No.:WD003

Design: BS5163 Type A EN1074 EN558-1

Type: OS&Y,Flange end

Face to face: EN558-1 Series3

Class: PN6,PN10,PN16

Size: DN40-DN600



Resilient Seated Gate Valves

Art No.:WD004

Design: BS5163,Type A DIN3352F4/F5 EN1171

Type: NRS,Flange end

Class: PN10,PN16,

Size: DN50-DN200



Resilient Seated Gate Valves

Art No.:WD005

Design: DIN3352-F4 EN1171 EN558-1
 Type: NRS, Flange end
 Face to face: EN558-1 Series14
 Class: PN6, PN10, PN16, PN25
 Size: DN40-DN800



Resilient Seated Gate Valves

Art No.:WD006

Design: DIN3352-F4 EN1171 EN558-1
 Type: NRS, Flange end, For gear box operated
 Class: PN6, PN10, PN16, PN25
 Size: DN450-DN800

Resilient Seated Gate Valves

Art No.:WD007

Design: DIN3352-F4 EN1171 EN558-1
 Type: NRS, Flange end
 Face to face: EN558-1 Series15
 Class: PN6, PN10, PN16, PN25
 Size: DN40-DN800



Resilient Seated Gate Valves

Art No.:WD008

Design: DIN3352F4/F5 EN1171 EN558-1
 Type: OS&Y, Flange end
 Class: PN6, PN10, PN16
 Size: DN40-DN600



Resilient Seated Gate Valves



Art No.:WD009

Design: AWWA C509/AWWA C515
 Type: NRS and OS&Y
 Face to face: ANSI B16.10
 Class: 125PSI, 250PSI
 Size: 1 1/2"-32"



Resilient Seated Gate Valves

Art No.:WD010

Design: AWWA C509/AWWA C515
 Type: NRS, Mechanical Joint end
 MJ end: ANSI/AWWA C111/A21.11
 Size: 1 1/2"-24"

Resilient Seated Gate Valves

Art No.:WD011

Design: AWWA C509/AWWA C515
 Type: NRS, Groove end
 Class: 125PSI, 250PSI
 Size: 1 1/2"-8"



Resilient Seated Gate Valves

Art No.:WD012

Design: AWWA C509/AWWA C515
 Type: NRS, push-on end
 Class: 125PSI, 250PSI
 Size: 1 1/2"-12"





Resilient seated Gate Valve with socket for PE&PVC pipe

PN	Dimensions/DN Pipe Ø mm													
	50	65	80	100	100	125	125	150	150	200	200	250	250	300
63	75	90	110	125	125	140	160	180	200	225	250	280	315	
16	●	●	●	●	●	●	●	●	●	●	●	●	●	

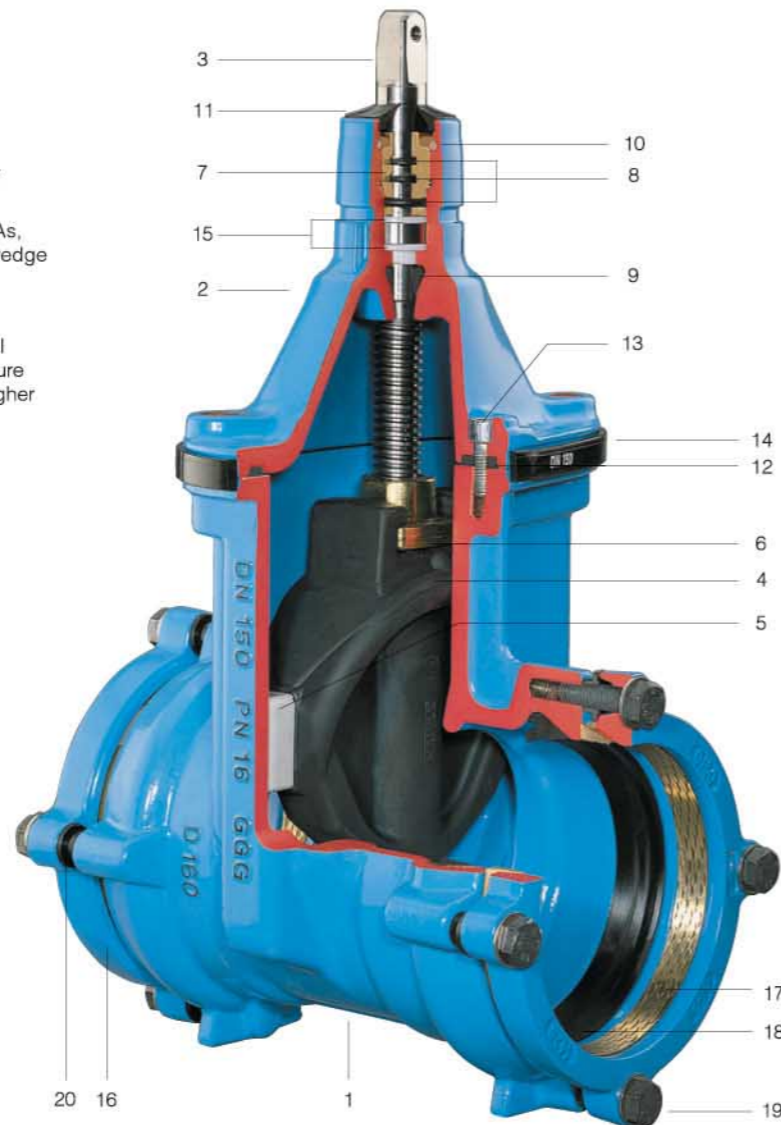
Material and design features:

- 1/2/16 **Body (1) bonnet (2) and lock ring (16)** of ductile iron EN-GJS-400-18 according to EN 1563 (GGG 400 - DIN 1693) inside and outside epoxy powder coated according to DIN 30677-T2 in accordance with DIN 3476 and all quality and test requirements of RAL quality mark 662 (GSK - Gütegemeinschaft Schwerer Korrosionsschutz - the association for high quality corrosion protection)
- 3 **Stainless steel spindle** St 1.4021 (X20Cr13), with rolled thread and O ring slide faces
- 4 **Wedge** of ductile iron EN-GJS-400-18 according to EN 1563 (GGG 400 - DIN 1693), inside and outside fully rubberized with vulcanized elastomer, suitable for potable water, with drain hole
- 5 **Wedge guide** of wear resistant plastic with high gliding features; optimally placed design guarantees lowest wear and tear and lowest closing torques
- 6 **Wedge nut** of dezincification resistant brass CuZn36Pb3As, generous oversizing of the required thread length in the wedge nut guarantees highest possible breaking torques
- 7 **O ring bush** of Ms 58
- 8 **O rings** of elastomer, embedded in non-corrosive material (according to DIN 3547-T1) and replaceable under pressure up to DN 200 (according to ISO 7259), for DN 250 and higher without pressure
- 9 **Back seal** of elastomer, suitable for potable water
- 10 **Circlip** of POM
- 11 **Wiper ring** of elastomer
- 12 **Bonnet gasket** of elastomer, suitable for potable water
- 13 **Allen screws** St 8.8 DIN 912 absolutely corrosion protected by being sunk into the body and sealed, and by passing through bonnet gasket
- 14 **Edge protecting ring** of PE avoids damages during transport and storage
- 15 **Friction washers** of POM guarantee smooth spindle guiding
- 17 **Grip ring** of Ms 58 (from DN 300 Rg 7)
- 18 **Lip seal** of elastomer, suitable for potable water
- 19 **Bolts and washers** of A2 (stainless steel)
- 20 **Spacer bushes** of PE

The pipe is sealed with a lip seal.

Minimal pipe insertion force is required for pushing the pipe end into the seal chamfer with an appropriate chamfer.

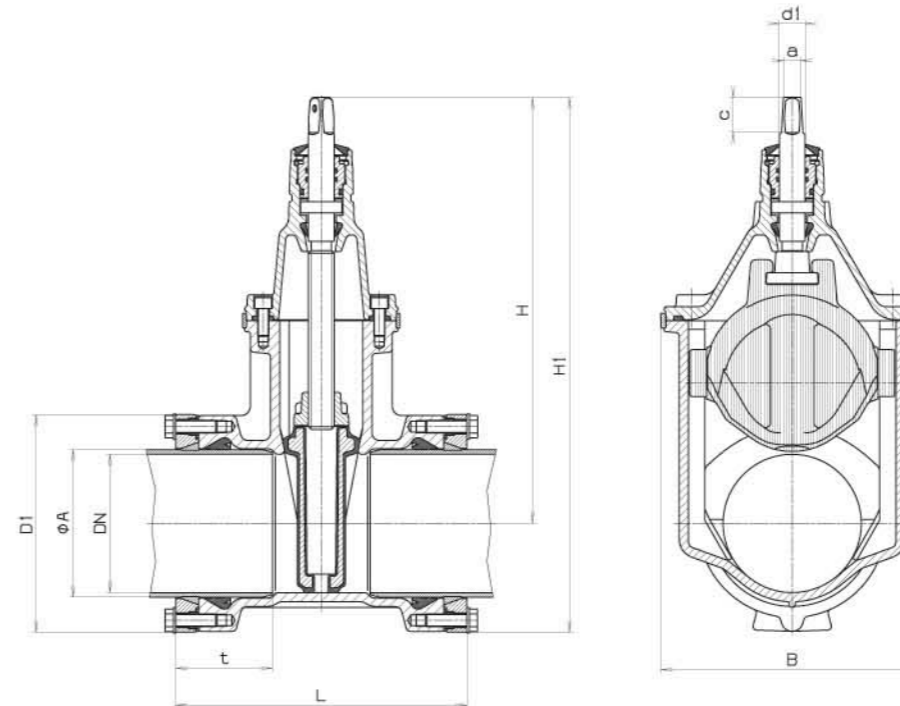
The pipe restraining system is effective separately from the sealing system and is activated by tightening the lock ring.



- Standard version:** without handwheel and extension spindle
- Special versions:** on request
- Suitable accessories:**
 - Handwheel:** No. 7800
 - Extension Spindles:** rigid No. 9000E2, from DN 250 No. 9000 telescopic No. 9500E2, from DN 250 No. 9500
 - Surface Boxes:** rigid No. 1750, telescopic No. 2050, No. 2051K

Design features:

- easiest retrofitting of position indicator and automatic actuator on the standard bonnet possible
- one extension spindle for several dimensions
- optimally placed wedge guide of wear resistant plastic guarantees lowest wear and tear and lowest closing torques, suitable for frequent operations at a differential pressure up to 16 bar
- 100 % suitable for operation by automatic actuators
- generous oversizing of the required thread length in the wedge nut guarantees highest possible breaking torques
- O rings embedded in non-corrosive material (according to DIN 3547-T1)
- replaceable O rings
 - up to DN 200 under pressure (according ISO 7259)
 - from DN 250 without pressure
- cleaning with pig possible



DN	Pipe Ø mm	Valve						Spindle			Weight kg
		D1	t	H	H1	L	B	a	c	d1	
50	63	124	83	260	322	226	143	14,8	30	22	8,1
65	75	138	85	328	397	240	180	17,3	35	25	14,3
80	90	152	88	336	412	242	180	17,3	35	25	13,8
100	110	174	88	373	460	252	213	19,3	38	25	18,3
	125	195	88	373	470	260	213	19,3	38	25	19,0
125	125	195	90	450	547	280	285	19,3	38	28	32,0
	140	212	96	450	556	278	285	19,3	38	28	33,0
150	160	236	108	462	580	316	285	19,3	38	28	34,0
	180	258	118	462	591	342	285	19,3	38	28	36,0
200	200	284	128	563	705	366	357	24,3	48	32	65,0
	225	314	130	563	720	366	357	24,3	48	32	69,0
250	250	347	147	670	844	400	432	27,3	48	34	103,0
	280	376	150	670	858	420	432	27,3	48	34	110,0
300	315	422	176	753	964	472	518	27,3	48	34	168,0



Resilient Seated Gate Valves

Art No.:WD015
 Design: EN1171 EN558-1 ISO2531
 Type: NRS,socket end For DUCTILE IRON PIPE
 Class: PN10,PN16
 Size: DN50-DN300



Resilient Seated Gate Valves

Art No.:WD017
 Design: BS5163 Type A BS5150 EN1171 EN558-1
 Type: NRS,Flange end
 Face to face: EN558-1 Series3
 Class: PN6,PN10,PN16
 Size: DN40-DN600

Metallic Seated Gate Valves

Art No.:WD019
 Design: DIN3352 F4 EN1171 EN558-1
 Type: NRS,Flange end
 Class: PN6,PN10,PN16
 Size: DN40-DN400



Resilient Seated Gate Valves

Art No.:WD013
 Design: DIN3352, EN1171
 Type: NRS, Flange Socket End
 Class: PN10,PN16
 Size: DN50-300



Resilient Seated Gate Valves

Art No.:WD016
 Design: EN1171 EN558-1 ISO2531
 Type: NRS,spigot end
 Class: PN10,PN16
 Spigot end: For PVC,PE,Ductile iron pipe
 Size: DN50-DN315



Metallic Seated Gate Valves

Art No.:WD018
 Design: BS5163 Type B EN1074 EN558-1
 Type: NRS,Flange end
 Class: PN6,PN10,PN16
 Size: DN50-DN300

Metallic Seated Gate Valves

Art No.:WD020
 Design: DIN3352 F5 EN1171 EN558-1
 Type: NRS,Flange end
 Class: PN6,PN10,PN16
 Size: DN40-DN400



Resilient Seated Gate Valves

Art No.:WD014
 Design: EN1171 EN558-1 SABS669
 Type: NRS,socket end For PVC
 Class: PN10,PN16
 Size: DN50-DN315





Metallic Seated Gate Valves

Art No.:WD021

Design: DIN3352 F4/F5 EN1171 EN558-1

Type: OS&Y, Flange end

Class: PN6, PN10, PN16

Size: DN40-DN400



Metallic Seated Gate Valves

Art No.:WD023

Design: BS3464

Type: NRS, Flange end

Size: DN40-DN300



Metallic Seated Gate Valves

Art No.:WD024

Design: SABS664/SABS665

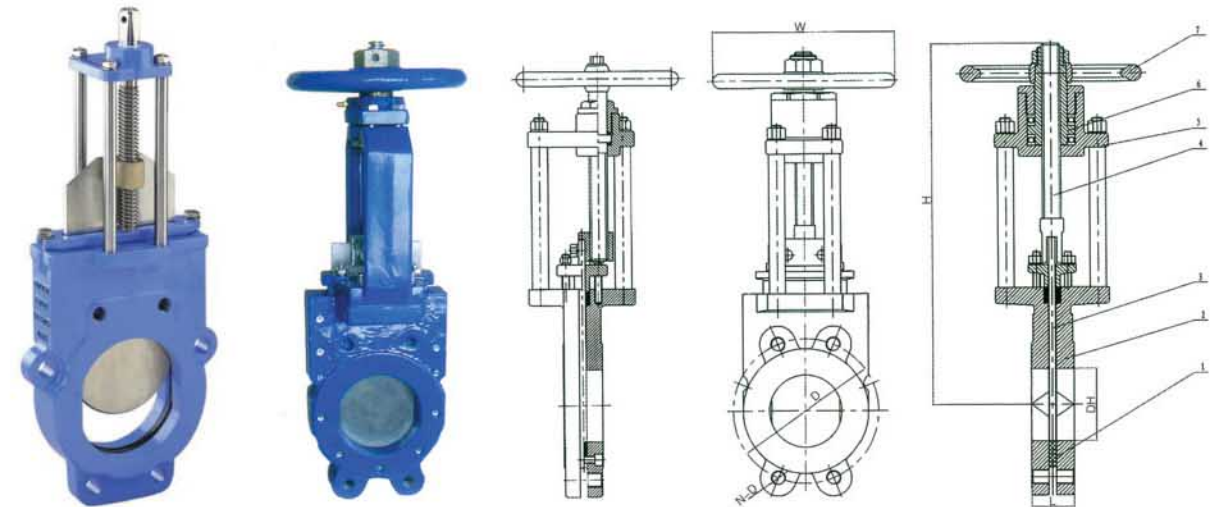
Type: NRS, Flange end

Class: PN10, PN16

Size: DN40-DN600



Knife Gate Valves



DN900-1000

NRS

OS&Y

DESCRIPTION

- 1.Face to Face:EN 558-1,MSS
- 2.Flanged ends DIN 2501,BS4504,ANSI16.10
- 3.Test & Inspection:DIN 3230
- 4.Working temperature:NBR≤80℃,EPDM≤120℃
- 5.Operator:handwheel,nut,extension stem,gear operator

MATERIAL LIST

No.	PART	MATERIAL
1	"U"SEAT	EPDM/NBR
2	BODY	DI,GGG40/50,ASTM A536
3	KNIFE	304/316
4	STEM	420/304
5	COVER	DI,GGG40/50,ASTM A536
6	STEM NUT	BRASS

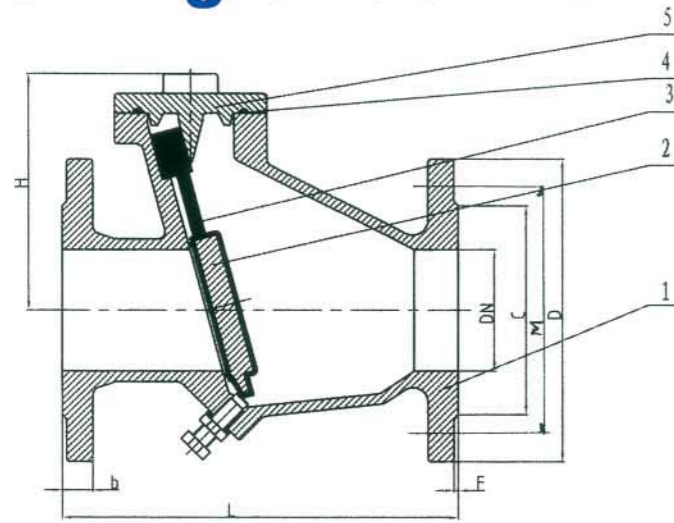
DIMENSIONS(mm).

DN	DIN 2501		BS10T/D		BS10T/E		ANSIMSS SP-81		H	L	L	W
	D	N-D	D	N-D	D	N-D	D	N-D				
50	125	4-M16	114.3	4-5/8"	114.3	4-5/8"	120.5	4-5/8"	290	43	48	180
65	145	4-M16	146	4-5/8"	146	4-5/8"	139.5	4-5/8"	295	46	48	180
80	160	8-M16	165.1	4-5/8"	165.1	4-5/8"	152.5	4-5/8"	320	46	51	200
100	180	8-M16	177.8	4-5/8"	177.8	8-5/8"	190.5	8-5/8"	365	52	51	250
125	210	8-M16	209.5	8-5/8"	209.5	8-5/8"	216	8-3/4"	405	56	51	300
150	240	8-M20	235	8-5/8"	235	8-3/4"	241.5	8-3/4"	478	56	57	300
200	295	8-M20	292.1	8-5/8"	292.1	8-3/4"	298.5	8-3/4"	545	60	70	350
250	350	12-M20	355.6	8-3/4"	355.6	12-3/4"	362	12-7/8"	692	68	70	400
300	400	12-M20	406.4	12-3/4"	406.4	12-7/8"	432	12-7/8"	785	78	76	500
350	460	16-M20	469.9	12-7/8"	469.9	12-7/8"	476	12-1"	892	78	76	500
400	515	16-M24	520.7	12-7/8"	520.7	12-7/8"	539.5	12-1"	998	102	89	600
450	565	20-M24	584.2	12-7/8"	584.2	16-7/8"	578	16-9/8"	1422	114	89	600
500	620	20-M24	641.3	16-7/8"	641.3	16-7/8"	635	20-9/8"	1565	127	114	600
600	725	20-M27	755.6	16-1"	755.6	16-9/8"		20-1.25"	1680	154	114	750



Swing Check Valves

Check Valve



DESCRIPTION

- 1.Face to Face:DIN 3202 F6,BS5153
- 2.Flanged drilled: DIN2501,BS4504
- 3.Normal pressure:1.0MPa,1.6MPa,2.5MPa
- 4.Suitable medium:water
- 5.Working temperature:NBR≤80℃,EPDM≤120℃

MATERIAL LIST

No.	PART	MATERIAL
1	BODY	GGG40/GGG50
2	DISC CORE	GGG40/GGG50
3	DISC	EPDM/NBR
4	RUBBER SEAL	EPDM/NBR
5	BONNET	GGG40/GGG50

DIMENSIONS(mm).

DN	L		b		D	C	M	H	F	n-d
	DIN3202	BS5153	DIN3202	BS5153						
50	200	203	19	19	165	102	125	118	3	4-19
65	240	216	19	19	185	122	145	135	3	4-19
80	260	241	19	19	200	138	160	160	3	8-19
100	300	292	19	19	220	158	180	182	3	8-19
125	350	330	19	19	250	188	210	205	3	8-19
150	400	356	22	19	285	212	240	235	3	8-23
200	500	495	22	20	340	268	295	275	3	12-23
250	600	622	26	22	405	320	355	320	3	12-28
300	700	698	26	25	460	378	410	365	4	12-28
350	800	787	27	27	520	438	470	400	4	16-28
400	900	864	28	28	580	490	525	430	4	16-31



Check Valves

Art No.:WD025

- Design: AWWA C508,MSS SP-71,EN1074-3
 Type: Dual Plated type,water end
 Class: 125PSI,150PSI,PN6,PN10,PN16
 Face to face: EN558-1 Series 16
 Size: 11/2"(DN40)-24"(DN600)



Check Valves

Art No.:WD026

- Design: BS5153,DIN3202 F6,EN1074-3
 Type: Ball type,Flange end
 Class: PN6,PN10,PN16
 Size: DN40-DN400

Check Valves

Art No.:WD027

- Design: EN1074-3
 Type: Ball type,screw end
 Size: 1/2"(DN15)-4"(DN100)



Check Valves

Art No.:WD028

- Design: AWWA C508,MSS SP-71,BS5153
 Type: Swing type,Flange end with weight lever
 Class: 125PSI,150PSI,PN6,PN10,PN16
 Face to face: EN558-1 Series 16
 Size: 11/2"(DN40)-24"(DN600)



Check Valve



Check Valve



Check Valves

Art No.:WD029

Design: DIN3202 F6 EN1074-3 EN558-1
 Type: Swing type, Flange end with weight lever
 Class: PN6, PN10, PN16
 Size: DN40-DN600



Check Valves

Art No.:WD030

Design: DIN3202 F1 EN1074-3
 Type: Lift type, Flange end
 Class: PN6, PN10, PN16
 Face to face: EN558-1 Series 1
 Size: DN15-DN300

Check Valves

Art No.:WD031

Design: AWWA C508, MSS SP-71, BS5153, DIN3202 F6, EN1074-3
 Type: Flexible swing type, Flange end
 Class: 125PSI, 150PSI, PN6, PN10, PN16
 Size: 11/2"(DN40)-24"(DN600)



Check Valves

Art No.:WD032

Design: EN1074-3
 Type: Vertical type, Flange end
 Class: PN6, PN10, PN16
 Size: DN50-DN300



Globe Valves

Art No.:WD033

Design: MSS-SP-85
 Type: Straight type, Flange end
 Class: 125PSI, 150PSI
 Size: 11/2"-12"



Globe Valves

Art No.:WD034

Design: BS5152
 Type: Straight type, Flange end
 Class: PN10, PN16
 Size: DN40-DN300

Globe Valves

Art No.:WD035

Design: BS5152
 Type: Angle type, Flange end
 Class: PN10, PN16
 Size: 11/2"-8"



Globe Valves

Art No.:WD036

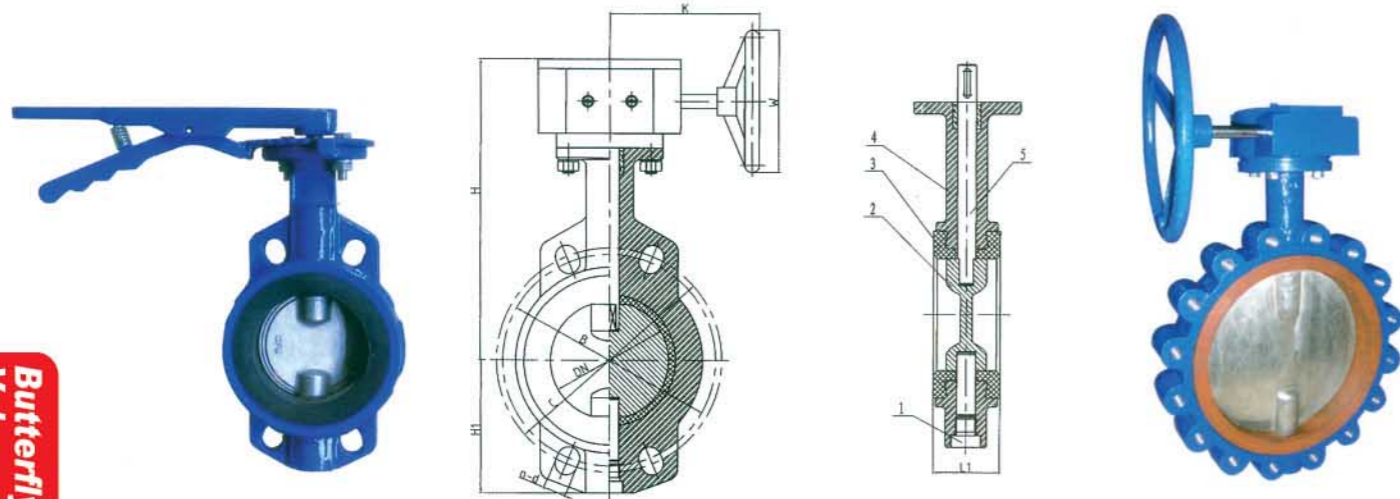
Design: DIN3202 F1 DIN3356 EN13789
 Type: Straight type, Flange end
 Class: PN10, PN16
 Face to face: EN558-1 Series 1
 Size: DN15-DN300



Globe Valve



Butterfly Valves



WAFER TYPE

LUG TYPE

DESCRIPTION

- 1.Design and manufacture:EN 593/BS 5155/MSS SP-67
- 2.Flange dimensions:EN 1092-2/BS 4504/ASME B16.1
- 3.Top flange dimensions:ISO 5211
- 4.Face to face dimensions:EN 558/ISO 5752/DIN 3202

MATERIAL LIST

No.	PART	MATERIAL
1	bolt	A3 plating
2	stem	SS410/304
3	disc	GGG40/304
4	seat	NBR/EPDM
5	body	GG25/GGG40

DIMENSIONS(mm).

DN	L1	H	H1	B	C	N-D	K
50	43	135	65	125	120.5	4-19	175
65	46	155	78	145	139.7	4-19	175
80	46	165	83	160	152.4	8-19	175
100	52	180	107	190.5	180	8-19	175
125	56	195	120	215.5	210	8-19	175
150	56	210	132	241.3	240	8-23	175
200	60	265	170	298.5	295	12-23	250
250	68	295	190	361.9	350	12-23	250
300	78	335	222	431.6	400	16-23	250
350	78	370	295	476.2	460	8-23	175
400	102	400	356	539.7	515	12-23	250
450	114	435	380	577.8	565	12-23	250
500	127	490	410	635	620	16-23	250
600	154	550	500	749.3	725	16-23	250

Butterfly Valve

Butterfly Valve



Butterfly Valves

Art No.:WD037

Design: MSS SP-67,BS5155,EN593
 Type: Wafer tyoe,gear box operated
 Class: 125PSI,150PSI,PN10,PN16
 Size: 11/2"(DN40)-48"(DN1200)



Butterfly Valves

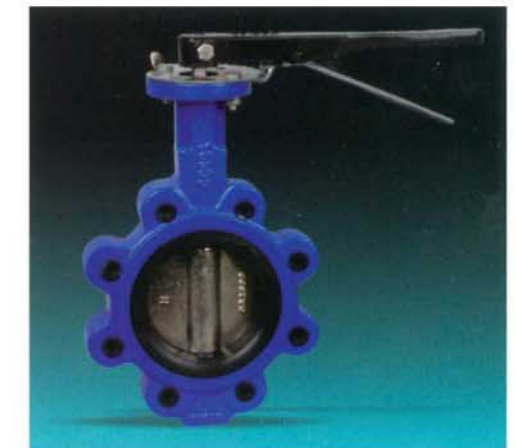
Art No.:WD038

Design: MSS SP-67,BS5155,EN593
 Type: Industrial,lever operated
 Size: 11/2"(DN40)-12"(DN300)

Butterfly Valves

Art No.:WD039

Design: MSS SP-67,BS5155,EN593
 Type: Lug type,lever operated
 Size: 11/2"(DN40)-24"(DN600)



Butterfly Valves

Art No.:WD040

Design: MSS SP-67,BS5155,EN593 EN1074
 Type: Lug type,gear operated
 Class: PN10,PN16
 Size: 2"(DN50)-24"(DN600)





Butterfly Valves

Art No.:WD043
 Design: BS5155,EN593
 Type: Double flange,lever operated
 Class: PN10,PN16
 Size: DN50-DN300



Butterfly Valves

Art No.:WD041
 Design: BS5155,EN593 EN1074
 Type: U section type Body,lever operated
 Class: PN10,PN16
 Size: DN50-DN300

Butterfly Valve



Butterfly Valves

Art No.:WD042
 Design: BS5155,EN593
 Type: Double flange,gear box operated
 Class: PN10,PN16
 Face to face: EN558-1 Series 13
 Size: DN50-DN1200

Butterfly Valves

Art No.:WD044
 Design: BS5155,EN593
 Type: Double eccentric,flange end gear box operated
 Class: PN10,PN16,PN25
 Size: DN50-DN1200



Ball Valves

Art No.:WD045
 Design: API 6D
 Type: Full bore,Flange end
 Face to face: ANSI B16.10
 Size: 1/2"-12"



Ball Valves

Art No.:WD046
 Design: DIN3357
 Type: Full bore,Flange end
 Face to face: EN558-1 Series 14/15
 Size: DN15-DN300

Ball Valves

Art No.:WD047
 Design: DIN3357
 Type: Reduce bore,Flange end
 Size: DN15-DN300



Ball Valves

Art No.:WD048
 Design: JIS 7S-48
 Type: Full bore,Flange end
 Size: DN15-DN300



Ball Valve



Air Valves

Art No.:WD049

Design: EN1074-4
 Type: Flange end with inner isolation valve
 Size: DN50-DN200

Air Valve



Air Valves

Art No.:WD050

Design: EN1074-4
 Type: Flange end with inner isolation valve
 Size: DN50-DN200

Air Valves

Art No.:WD051

Design: EN1074-4
 Type: Flange end, Double Orifices Automatic type
 Size: DN50-DN200



Air Valves

Art No.:WD052

Design: EN1074-4
 Type: Flange end, Single Orifice Combined-type
 Size: DN50-DN200



Air Valves

Art No.:WD053

Design: EN1074-4
 Type: Flange end, Single Orifice Automatic type
 Size: DN50-DN150



Air Valves

Art No.:WD054

Design: EN1074-4
 Type: Flange end, Single Orifice Superposition Automatic type
 Size: DN50-DN100

Air Valves

Art No.:WD055

Design: BS5155, EN593
 Type: Double flange, lever operated
 Class: PN10, PN16
 Size: DN50-DN300



Air Valves

Art No.:WD056

Design: EN1074-4
 Type: Thread end, Single Orifice Automatic type
 Size: 1/2"-2"



Air Valve



Strainer

Art No.:WD057

Design: EN1074
 Type: Y type, Thread end
 Size: 1/2"(DN15)-6"(DN150)



Strainer

Art No.:WD058

Design: DIN3202F1, EN1074, BS2080
 Type: Y type, Thread end, heavy duty
 Size: 1/2"(DN15)-24"(DN600)

Strainer

Art No.:WD059

Design: EN1074, MSS-SP
 Type: Y type, Flange end, light duty
 Size: 1/2"(DN15)-12"(DN300)



Strainer (Brozne)

Art No.:WD060

Design: BS EN1092-2 ANSIB16.5
 Type: Y type, Thread end
 Size: 2"(DN50)-24"(DN600)



Service Valves

Art No.:WD061

Design: EN1074-5
 Type: Angle pattern, thread end
 Size: 1/2"-2"



Screwed gate Valves

Art No.:WD062

Design: EN1074-5
 Type: Straight pattern, thread end
 Size: 1/2"-2"

Flap Valves

Art No.:WD063

Design: EN1074-5
 Type: Flange end
 Size: 2"(DN50)-12"(DN300)



Foot Valves

Art No.:WD064

Design: EN1074-5
 Type: Flange end
 Size: 2"(DN50)-12"(DN300)

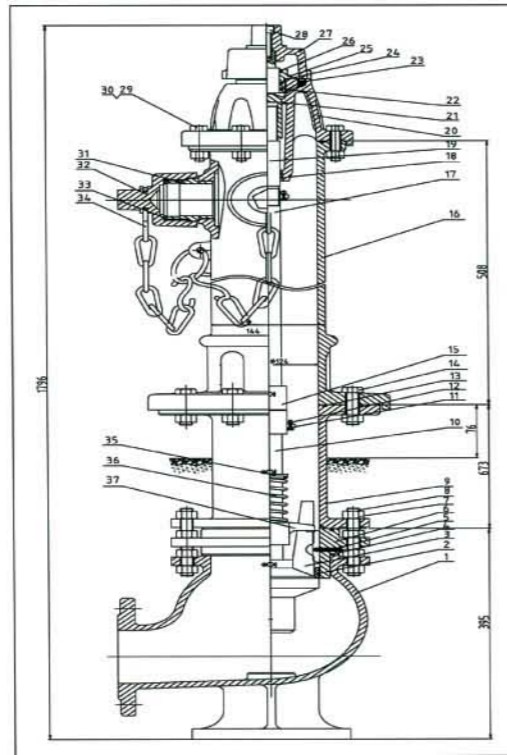


Y Strainer

Other Valve



Double-gate Dry Barrel Fire Hydrants



MATERIAL LIST

No.	PART	MATERIAL	No.	PART	MATERIAL
1	Seat	Ductile Iron QT450-12	20	Bonnet	Ductile Iron QT450-12
2	Gasket Ring	Bronze ZQSn5-5-5	21	Screw	Bronze ZQSn5-5-5
3	Wedge	EPDM	22	Seat O-ring	EPDM
4	Seat O-ring	EPDM	23	Sealed oil Reservoir	
5	Plug	Bronze ZQSn5-5-5	24	Seal O-ring	EPDM
6	Interface	Ductile Iron QT450-12	25	Gland	Brass H62
7	Nut	Carbon Steel Zinc Plated 45#	26	Wiper ring	EPDM
8	Stud	Carbon Steel Zinc Plated 45#	27	Cap	Ductile Iron QT450-12
9	Body	Ductile Iron QT450-12	28	Socket head bolt	Carbon Steel Zinc Plated 45#
10	Spindle	A3	29	Hexagonal Headed bolt	Carbon Steel Zinc Plated 45#
11	Pin roll	Stainless Steel 304	30	Nut	Carbon Steel Zinc Plated 45#
12	Pin	Stainless Steel 304	31	Small outlet	Bronze ZQSn5-5-5
13	Seal O-ring	EPDM	32	Nozzle cap	Ductile Iron QT450-12
14	Hexagonal Headed bolt	Carbon Steel Zinc Plated 45#	33	Sheet gasket	EPDM
15	Joint	Stainless Steel 1Cr13	34	Chain	A3
16	Waterway	Ductile Iron QT450-12	35	Flat Gasket	Stainless Steel 1Cr13
17	Spindle	A3	36	Spring	Stainless Steel 304
18	Seal O-ring	EPDM	37	Tray	Ductile Iron QT450-12
19	Spindle	Stainless Steel 1Cr13			

Fire Hydrant



Fire Hydrant

Art No.:WD065

Design: BS750

Class: PN10,PN16

Size: DN65-DN80



Fire Hydrant

Art No.:WD066

Design: BS750

Class: PN10,PN16

Size: DN40-100



Fire Hydrant

Art No.:WD067

Design: BS750

Class: PN10,PN16

Size: DN40-100



Fire Hydrant

Art No.:WD068

Design: BS750

Class: PN10,PN16

Size: DN40-100

Fire Hydrant



Expansion Joint

Art No.:WD069

Type: Single sphere
 Class: 125PSI,PN6,PN10,PN16,PN25
 Size: DN25-DN600



Expansion Joint

Art No.:WD070

Type: Double sphere
 Class: 125PSI,PN6,PN10,PN16,PN25
 Size: DN25-DN600

Expansion Joint

Art No.:WD071

Type: Twin union sphere
 Class: 125PSI,PN6,PN10,PN16,PN25
 Size: 3/4"(DN20)-6"(DN150)



Extension Spindle

Art No.:WD072

Type: Rigid and Telescopic
 Spindle: 3/4"-2"
 Size: DN50-200



**Valves and fittings for PE and PVC pipes (DIN 8074, EN 1452-2)
 total restraint - up to PN 16**

**E2 Elypso Valve
 No. 4040E2**
 DN 50-300



**E2 Elypso Valve
 Flange/Socket end
 No. 4041E2**
 DN 50-300



**Flange Adaptor
 No. 0400**
 equal and reducing
 DN 50-400



**E2 Combi-T
 No. 4343E2**
 DN 50-200



**Double Socket Tee
 with flanged branch
 No. 8525**
 equal and reducing
 DN 50-200



**Connector
 No. 0430**
 DN 50-300



**Bend
 No. 8535 90°
 No. 8545 45°
 No. 8555 30°
 No. 8557 11°**
 DN 50-300



**All Socket Tee
 No. 8515**
 equal and reducing
 DN 50-200



**Duck Foot Bend
 No. 5045**
 DN 80, DN 100



**End Cap
 No. 8075**
 DN 50-300



For thinwalled PE pipes (up to 3 mm wall thickness) and low internal pressure we recommend using a support liner.



EN545/EN598 Ductile iron pipe fittings



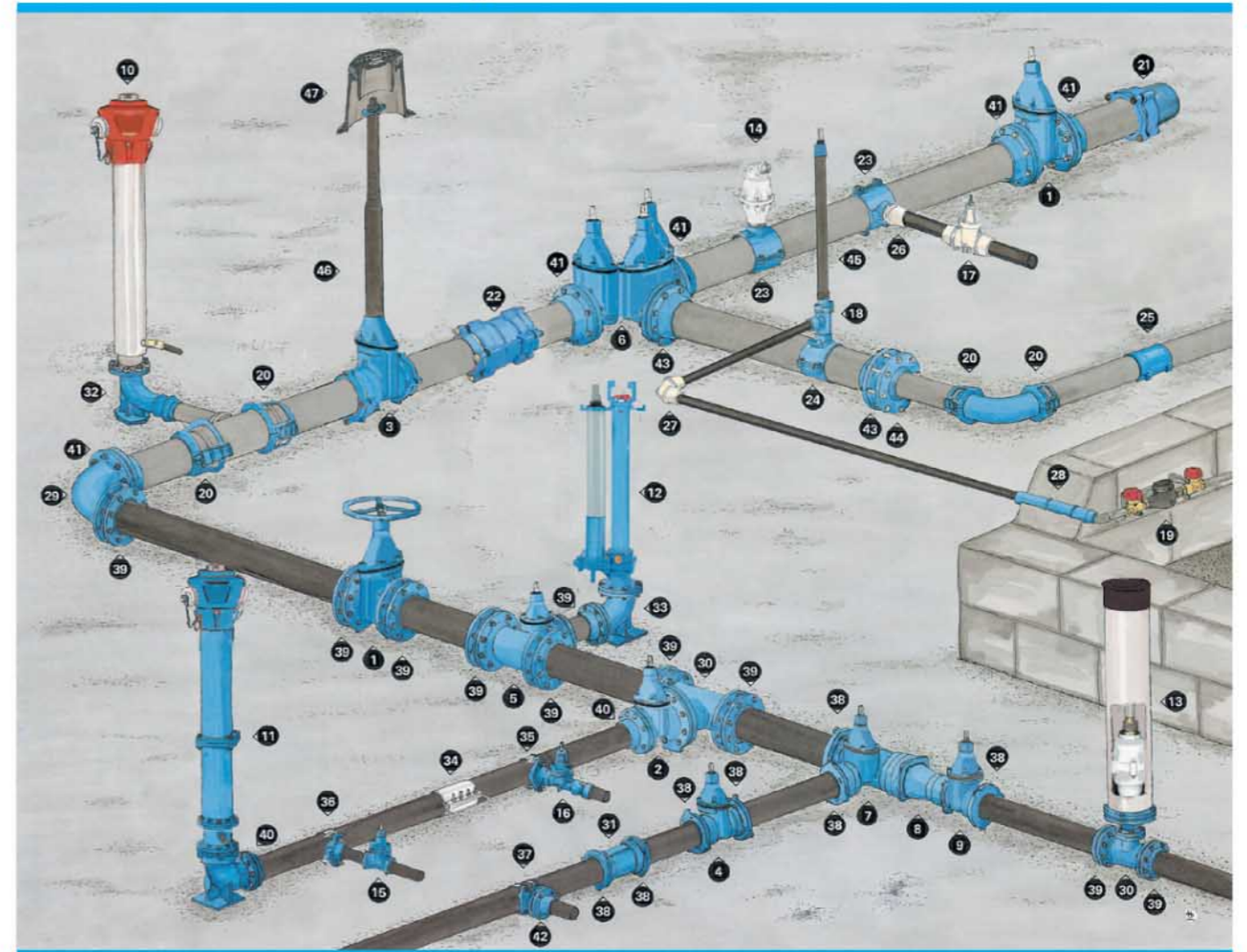
Ductile Iron Pipe Fittings For PVC Pipe (EN12842)



Ductile Iron Special Fittings



VORTEX - Product Range



- | | |
|-------------------------------------------|----------------------------------------------------|
| 1 E2 VALVE FLANGED ENDS | 25 SPLIT COLLAR (Pipe to Pipe) |
| 2 E2 REDUCING VALVE | 26 ISO FITTING MALE ADAPTOR, Acetal |
| 3 E2 VALVE "SYSTEM 2000" | 27 ISO FITTING ELBOW 90°, Acetal |
| 4 E2 VALVE, SOCKET ENDS FOR CAST IRON | 28 WALL INLET FITTING |
| 5 E2 COMBI-T, SINGLE VALVE TEE | 29 DOUBLE FLANGED BEND 90° |
| 6 E2 COMBI-III, TRIPLE VALVE TEE | 30 ALL FLANGED TEE |
| 7 E2 COMBI-T, SOCKET ENDS | 31 COLLAR WITHOUT THREAD |
| 8 CONCENTRIC TAPER | 32 FLANGED DUCK FOOT BEND WITH PVC SOCKET 90° |
| 9 E2 SPIGOT SOCKET VALVE | 33 DOUBLE FLANGED DUCK FOOT BEND 90° |
| 10 H4 CORROSION FREE HYDRANT - RIGID TYPE | 34 REPAIR CLAMP, single lug |
| 11 H4 ABOVE GROUND HYDRANT - BREAK AWAY | 35 UNIVERSAL PIPE SADDLE |
| 12 FREEFLOW BELOW GROUND HYDRANT | 36 SHUT-OFF SADDLE WITH O-RING |
| 13 COMBINED AIR RELEASE VALVE | 37 UNIVERSAL PIPE SADDLE, FLANGED OUTLET |
| 14 AUTOMATIC AIR VALVE | 38 PIPE-LOCK-RING |
| 15 SERVICE VALVE | 39 RESTRAINT FLANGE ADAPTOR FOR CAST IRON |
| 16 SERVICE VALVE | 40 DOUBLE CHAMBER FLANGE ADAPTOR FOR CAST IRON |
| 17 SERVICE VALVE | 41 RESTRAINT FLANGE ADAPTOR FOR PVC |
| 18 SERVICE VALVE | 42 ISO PIPE FLANGE ADAPTOR FOR PE |
| 19 WATER METER CONSOLE | 43 DOUBLE CHAMBER FLANGE ADAPTOR FOR PVC |
| 20 RESTRAINT CLAMP, for PVC | 44 DOUBLE CHAMBER FLANGE ADAPTOR FOR PVC, reducing |
| 21 ENDCAP | 45 EXTENSION SPINDLE FOR SERVICE VALVES |
| 22 RESTRAINT COLLAR, for PVC | 46 TELESCOPIC EXTENSION SPINDLE FOR E2 VALVES |
| 23 HAKU SADDLE FOR PLASTIC PIPES | 47 SURFACE BOX ADJUSTABLE |
| 24 HAKU SADDLE FOR PLASTIC PIPES | |