

Repair Clamp for water pipeline



青島沃德管道配件有限公司
VORTEX QINGDAO CO., LTD.

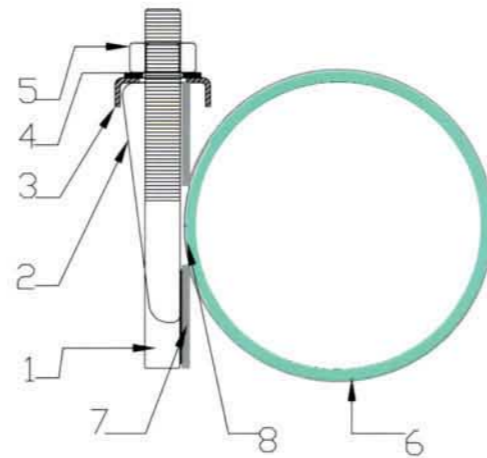
Add: North Industry Park of Jimo, Qingdao, CHINA
Tel: +86-532-85015186/85010020/85011161
Fax: +86-532-85012826/85015085
Http://www.vortex-pipefitting.cn
E-mail: info@vortex-pipefitting.cn



青島沃德管道配件有限公司
VORTEX QINGDAO CO., LTD.



All Stainless Steel Repair Clamps

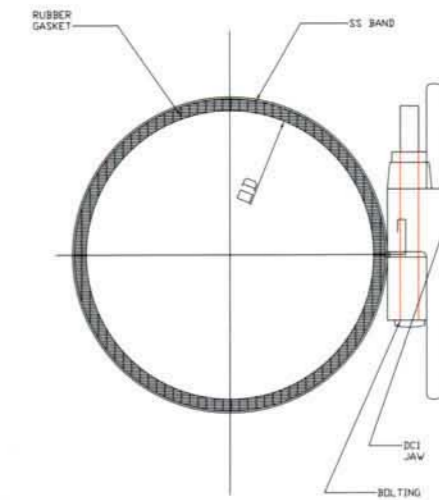


MATERIALS COMPOSITION		
ITEMS	NAME	MATERIALS
1	BOLT	SS304/201
2	LUG PLATE	SS304/201
3	COUNTER PLATE	SS304/201
4	WASHER	SS304/201
5	NUT	SS304/201
6	GASKET	EPDM/SBR
7	SIDE BAR	SS304/201
8	BAND	SS304 2B/201

BOLTING NUMBER ACCORDING TO LENGTH						
LENGTH(MM)	150	190/200	300	380/400	450	600
ALL SS	2	2	3	4	4	6
DCI JAW	2	3	4	6	6	8
	●	★	▲	◆	○	+

- The higher pressure is available.
- Other Size and Length are available.
- The rubber gasket with tapered ends and has a waffled pattern.
- Bridge/Armor plate vulcanizing into the rubber gasket is available.
- Rubber working temperature: SBR(-40° /+85° C),NBR(-40° /+106° C),EPDM(-40° /+140° C)
- All parts are passivated after welding to return the corrosion resistance and appearance.
- SS304 bolt/nut Telfon coating is available to prevent galling.
- A Delrin or Nylon washer is available to present galling.
- Etching and indelible ink mark is available.
- The band is TIG welded to the sidebar, the lugs and bolts are MIG welded to the sidebar.

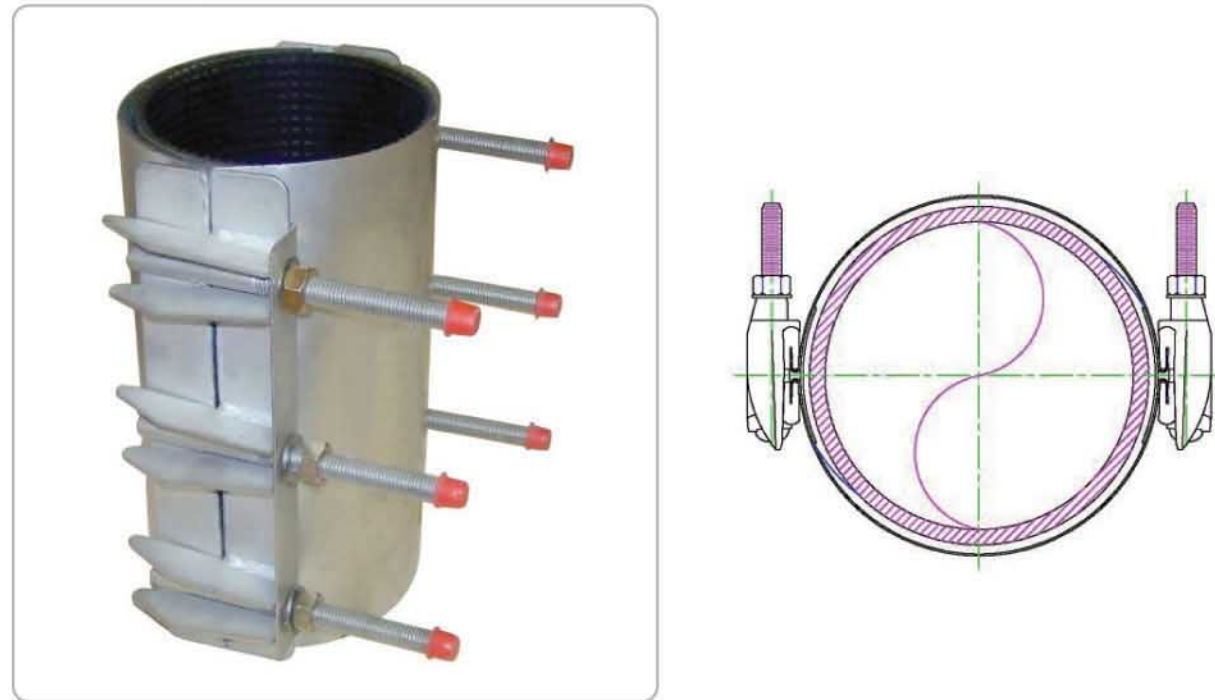
DCI Jaw Repair Clamps



MATERIALS COMPOSITION		
ITEMS	NAME	MATERIALS
1	JAW	DUCTILE IRON(GGG40)
2	BOLTS	CARBON STEEL GALV. (8.8grade)
3	NUTS	CARBON STEEL GALV. (8.8grade)
4	BAND	SS304/201
5	GASKET	EPDM/SBR
6	COATING	FUSION BONDED EPOXY

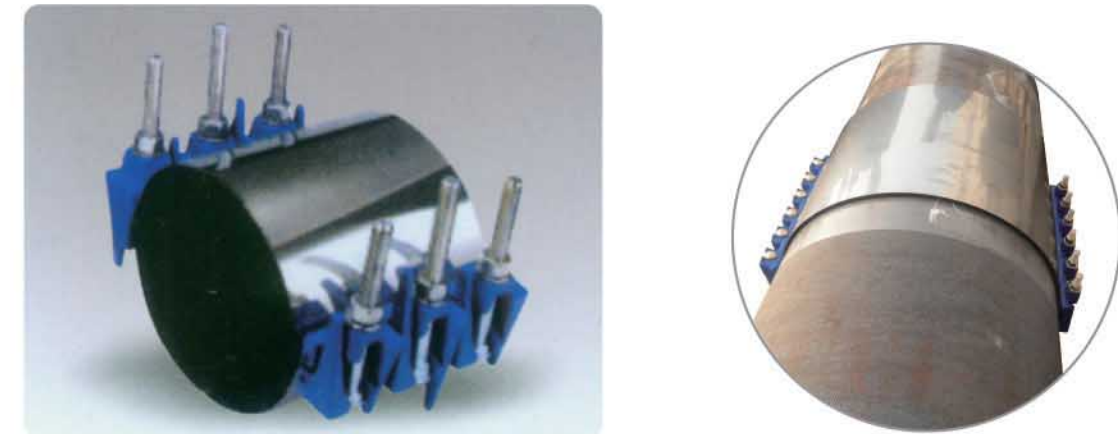
SIZE	OD RANGE	LENGTH	BOLTING	WORKING PRESSURE
2"	48-52	●★	M16	PN16
	60-67	●★	M16	PN16
3"	70-77	●★	M16	PN16
	88-98	●★▲	M16	PN16
	95-105	●★▲	M16	PN16
4"	108-118	●★▲	M16	PN16
	115-128	●★▲	M16	PN16
5"	132-143	★▲	M16	PN10
	158-172	★▲	M16	PN10
6"	168-182	★▲	M16	PN10
	193-203	★▲	M16	PN10
	217-229	★▲	M16	PN10
8"	225-240	★▲	M16	PN10
	243-260	▲◆	M16	PN6
	270-288	▲◆	M16	PN6
10"	313-336	▲◆	M16	PN6
	340-360	▲◆	M16	PN6

All Stainless Steel Repair Clamps With Double Band



SIZE	OD RANGE	LENGTH	BOLTING	WORKING PRESSURE
3"	88-110	★▲	M16	PN16
4"	100-120	★▲	M16	PN16
	108-128	★▲	M16	PN16
	119-140	★▲	M16	PN16
5"	139-160	★▲	M16	PN16
6"	158-180	★▲	M16	PN16
	168-189	★▲	M16	PN16
8"	195-217	★▲	M16	PN10
	216-238	★▲	M16	PN10
10"	240-260	★▲◆	M16	PN10
	269-289	★▲◆	M16	PN10
	282-302	★▲◆	M16	PN10
12"	295-315	★▲◆	M16	PN10
	314-335	★▲◆	M16	PN10
	324-344	★▲◆	M16	PN10
14"	335-355	★▲◆	M16	PN10
	347-367	★▲◆	M16	PN6
	365-385	★▲◆	M16	PN6

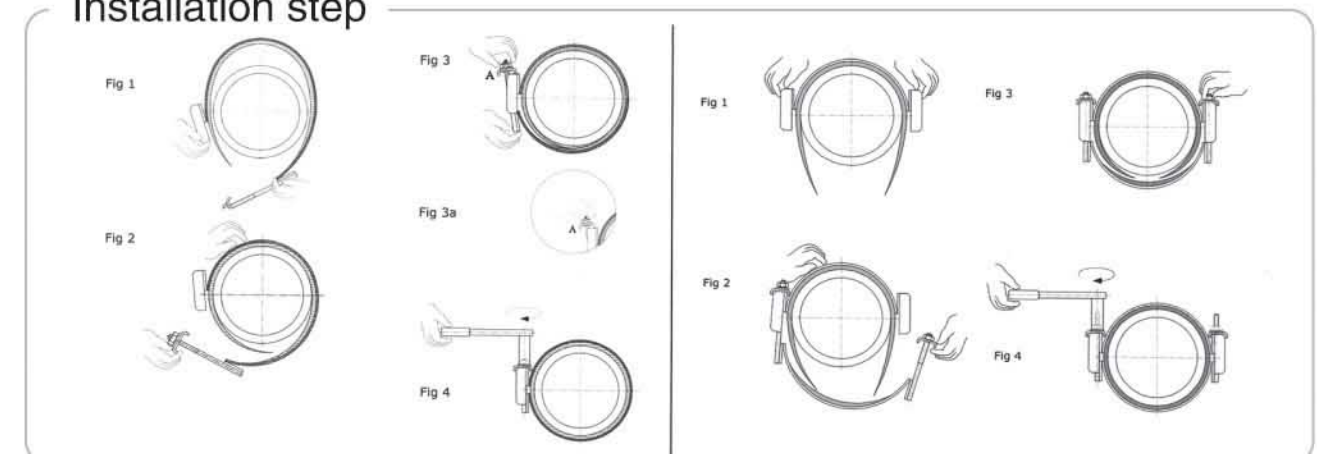
DCI Jaw Repair Clamps



BOLTING NUMBER ACCORDING TO LENGTH					
LENGTH(MM)	190/200	300	380/400	450	600
ALL SS	4	6	8	8	12
DCI JAW	6	8	12	12	16
	★	▲	◆	○	+

SIZE	OD RANGE	LENGTH	BOLTING	WORKING PRESSURE
16"	382-402	▲◆○	M16	PN6
	401-421	▲◆○	M16	PN6
	420-440	▲◆○	M16	PN6
18"	450-470	▲◆○	M16	PN6
	468-488	▲◆○	M16	PN6
20"	480-500	▲◆○	M16	PN6
	505-525	▲◆○	M16	PN6
	525-545	▲◆○	M16	PN6

Installation step



Multi band repair clamp(All stainless steel/DCI Jaw type)



SIZE	OD RANGE	LENGTH	BOLTING	Band No.
24"	591-620	▲◆○+	M16	3
	600-630	▲◆○+	M16	3
	619-648	▲◆○+	M16	3
26"	652-681	▲◆○+	M16	3
	672-701	▲◆○+	M16	3
28"	702-731	▲◆○+	M16	3
	715-745	▲◆○+	M16	3
	729-758	▲◆○+	M16	3
30"	752-781	▲◆○+	M16	3
	776-805	▲◆○+	M16	3
32"	787-816	▲◆○+	M16	3
	825-855	▲◆○+	M16	3
	835-865	▲◆○+	M16	3
36"	930-960	▲◆○+	M16	3
	940-980	▲◆○+	M16	4
40"	980-1020	▲◆○+	M16	4
	1005-1045	▲◆○+	M16	4
42"	1040-1080	▲◆○+	M16	4
	1055-1095	▲◆○+	M16	4
44"	1090-1130	▲◆○+	M16	4
	1120-1160	▲◆○+	M16	4
46"	1145-1185	▲◆○+	M16	4
	1180-1220	▲◆○+	M16	4
48"	1245-1285	▲◆○+	M16	4

Double band saddle with flanged outlet(Tapping sleeve)



Flange Size	A	B	C	Bolt Q'ty
DN80	100	88.9	300	6
DN100	100	114.3	400	8
DN150	130	168.3	400	8
DN200	140	219.1	450	8

SIZE	OD RANGE	LENGTH	BOLTING	Working pressure
3"	88-110	★▲	M16	PN16
4"	108-128	★▲	M16	PN16
	119-140	★▲	M16	PN16
5"	139-160	★▲	M16	PN16
6"	158-180	★▲	M16	PN16
	168-189	★▲	M16	PN16
8"	195-217	★▲	M16	PN10
	216-238	★▲	M16	PN10
10"	240-260	★▲◆	M16	PN10
	269-289	★▲◆	M16	PN10
	282-302	★▲◆	M16	PN10
12"	295-315	★▲◆	M16	PN10
	314-335	★▲◆	M16	PN10
	324-344	★▲◆	M16	PN10
14"	335-355	★▲◆	M16	PN6
	347-367	★▲◆	M16	PN6
	365-385	★▲◆	M16	PN6
16"	382-402	▲◆○	M16	PN6
	401-421	▲◆○	M16	PN6
	420-440	▲◆○	M16	PN6
18"	450-470	▲◆○	M16	PN6
	468-488	▲◆○	M16	PN6
	480-500	▲◆○	M16	PN6

America type repair clamp (All stainless steel/DCI Jaw type)

1. Single Band

Size		OD Range		Length	Bolting	Working pressure
in.	mm.	in.	mm.	●★	in.	psi
1 1/2	40	1.88-1.92	48-50	●★	5/8"	200
2	50	2.35-2.63	60-67	●★	5/8"	200
2 1/2	65	2.70-3.00	69-77	●★	5/8"	200
3	80	2.97-3.25	75-83	●★▲	5/8"	200
		3.46-3.70	88-94	●★▲	5/8"	200
		3.73-4.00	95-102	●★▲	5/8"	200
		3.96-4.25	101-108	●★▲	5/8"	200
4	100	4.45-4.73	113-120	●★▲	5/8"	200
		4.74-5.14	120-131	●★▲	5/8"	200
		4.95-5.35	126-136	●★▲	5/8"	200
		5.22-5.62	133-143	●★▲	5/8"	200
6	150	5.95-6.35	151-161	★▲	5/8"	150
		6.56-6.96	167-177	★▲	5/8"	150
		6.84-7.24	174-184	★▲	5/8"	150
		7.05-7.45	179-189	★▲	5/8"	150
		7.45-7.85	189-199	★▲	5/8"	150
8	200	7.95-8.35	202-212	★▲	5/8"	150
		8.54-8.94	217-227	★▲	5/8"	150
		8.99-9.39	228-239	★▲	5/8"	150
		9.27-9.67	235-246	★▲	5/8"	150
10	250	9.70-10.10	246-257	▲◆	5/8"	150
		10.64-11.04	270-280	▲◆	5/8"	100
		11.04-11.44	280-291	▲◆	5/8"	100
		11.34-11.74	288-298	▲◆	5/8"	100
		11.75-12.15	298-309	▲◆	5/8"	100
12	300	12.00-12.40	305-315	▲◆	5/8"	100
		12.62-13.02	321-331	▲◆	5/8"	100
		13.10-13.50	333-343	▲◆	5/8"	100
		13.40-13.80	340-351	▲◆	5/8"	100
		13.70-14.10	348-358	▲◆	5/8"	100
		14.00-14.40	356-366	▲◆	5/8"	100

- Removable lugs to allow installation in tight spaces.
- Etching and indelible ink mark in the band is available.
- 18-8 type 304 stainless steel band for corrosion resistance.
- A 360° gasket seal provides maximum support and reinforcement.
- Bridge plate recessed flush and bonded into gasket is available.
- All parts are passivated after welding to return the corrosion resistance.

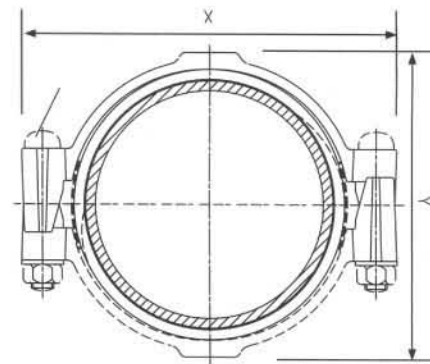
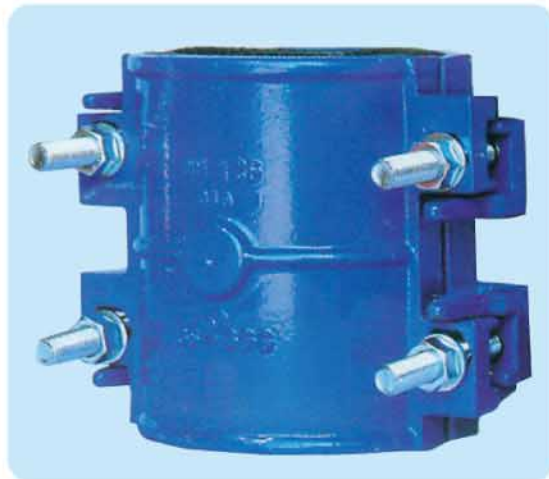


Material Specification		
Part name	Material	Standard
Panel	SS304	ASTM A240
Armor Plate	SS304	ASTM A240
Lugs	Ductile iron	ASTM A536
Bolts	Low Alloy Steel	ASTM A325
Nuts	Low Alloy Steel	ASTM A563
Gasket	EPDM/SBR	ASTM D2000

2. Double Band

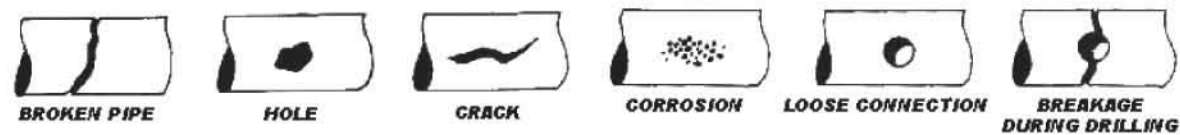
Size		OD Range		Length	Bolting	Working pressure
in.	mm.	in.	mm.	★▲	in.	psi
3	80	3.49-4.29	89-109	★▲	5/8"	200
4	100	4.44-5.24	113-133	★▲	5/8"	200
		4.74-5.57	120-141	★▲	5/8"	200
6	150	6.62-7.42	168-188	★▲	5/8"	200
		6.84-7.64	174-194	★▲	5/8"	200
8	200	8.62-9.42	219-239	★▲	5/8"	150
		8.99-9.79	228-249	★▲	5/8"	150
10	250	10.75-11.55	273-293	★▲◆	5/8"	150
		11.10-11.90	282-302	★▲◆	5/8"	150
		11.60-12.40	295-315	★▲◆	5/8"	150
12	300	12.75-13.55	324-344	★▲◆	5/8"	150
		13.20-14.00	335-356	★▲◆	5/8"	150
		13.65-14.45	347-367	★▲◆	5/8"	150

Ductile Iron Repair Clamp (with tapping solution)



Size		O.D. range	X	Y	Z	Bolting	Weight
in.	mm.	mm.	mm.	mm.	mm.	mm	(kg)
2"	DN50	66-75	150	110	200	4-M12 x65	4.1
2 1/2"	DN65	75-84	159	119	200	4-M16 x95	4.4
3"	DN80	92-103	184	145	200	4-M16 x95	4.9
4"	DN100	115-125	211	167	200	4-M16 x95	6.0
5"	DN125	141-154	239	182	200	4-M16 x95	7.5
6"	DN150	166-181	267	217	200	4-M16 x95	8.3
7"	DN175	200-210	296	238	200	4-M16 x95	9.0
8"	DN200	216-226	313	269	200	4-M16 x95	9.5
8"	DN200	230-243	328	281	200	4-M16 x95	10.8
9"	DN225	243-267	362	307	212	4-M16 x120	13.6
10"	DN250	269-294	395	322	250	6-M16 x120	18.5
12"	DN300	323-349	450	387	300	8-M16 x120	25.2

Solution Below Pipeline Problems



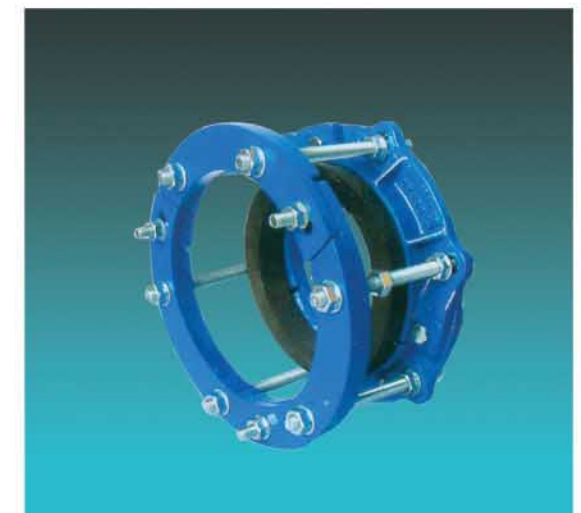
Type: Flexi type repair clamp
 Material: Stainless steel 304 band
 Class: PN20/PN16/PN10
 Size: 1"-12"



Type: Tag type repair clamp
 Material: Zinc plated steel/SS201
 Class: PN10/PN6
 Size: 2"-12"



Type: Patch type repair clamp
 Material: Ductile iron lug with SS band
 Class: PN10/PN6
 Width: 75mm(1 bolt)/150mm(2 bolts)
 Size: 1/2"-8"



Type: Bell joint repair clamp
 Material: Ductile iron with EPDM gasket
 Utility: Sealing Socket-spigot joint
 Class: PN16/PN10
 Size: 3"-12"